

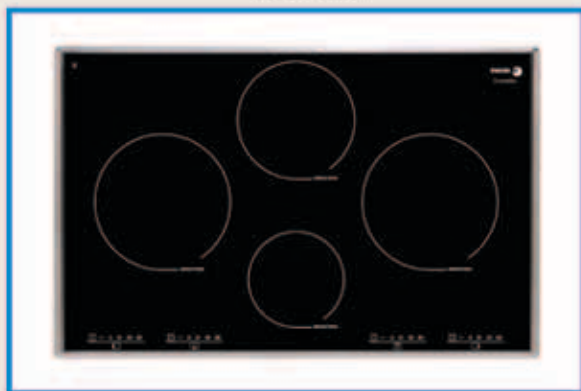
CARE & INSTRUCTIONS MANUAL

INDUCTION COOKTOPS

- IFA-90 AL



- IFA-80 AL



Note: To avoid accident and damage, please read these instructions carefully before operating the appliance.

EN GUIDE TO INSTALLATION AND USE

Cooking Hob

IMPORTANT : Save this manual for the local electrical inspector's use.

INSTALLER: Please leave this manual with the unit for the owner.

OWNER: Please keep this manual for future reference.

IMPORTANT: Local codes vary. Installation, electrical connections and grounding must comply with all applicable codes.

IFA-80AL / IFA-80BL
IFA-90AL / IFA-90BL



IMPORTANT SAFETY INSTRUCTIONS

- 1 - Proper Installation -** Be sure your appliance is properly grounded and installed by a qualified technician.
- 2 - Never Use your Appliance for Warming or Heating the Room.**
- 3 - Do Not Leave Children Alone -** Children should not be left alone or unattended in an area where appliance is in use. They should never be allowed to sit or stand on any part of the appliance.
- 4 - Wear Proper Apparel -** Loose-fitting or hanging garments should never be worn while using the appliance.
- 5 - User Servicing -** Do not repair or replace any part of the appliance unless specifically recommended in the manual. All other servicing should be referred to a qualified technician.
- 6 - Storage in or on Appliance -** Flammable materials should not be stored near surface units.
- 7 - Do Not Use Water on Grease Fires -** Smother fire or flame or use dry chemical or foam-type extinguisher.
- 8 - Use Only Dry Potholders -** Moist or damp potholders on hot surfaces may result in burns from steam. Do not let potholder touch hot heating elements. Do not use a towel or other bulky cloth.
- 9 - Use Proper Pan Size -** This appliance is equipped with several, differently sized, induction elements. Select utensils having flat bottoms, large enough to cover the surface unit heating element. Proper size pots and pans will also improve efficiency.
- 10 - DO NOT TOUCH SURFACE UNITS OR AREAS NEAR UNITS -** Surface units may be hot even though they are dark in color. Areas near surface units may become hot enough to cause burns. During and after use, do not touch, or let clothing or other flammable materials contact surface units or areas near units until they have had sufficient time to cool.
- 11. Do Not Heat Unopened Food Containers -** Build-up of pressure may cause container to burst and result in injury.
- 12. Never Leave Surface Units Unattended at High Heat Settings -** Boil-over causes smoking and greasy spillovers that may ignite.
- 13. Do not use aluminum foil, aluminum liners or aluminum containers on the unit.**

IMPORTANT SAFETY INSTRUCTIONS

14. Utensil Handles Should Be Turned inward and Not Extend Over Adjacent Surface Units - To reduce the risk of burns, and spillage due to unintentional contact with the utensil, the handle of a utensil should be positioned so that it is turned inward, and does not extend over adjacent surface units.

15. Do not Cook on Broken Cooktop - If cooktop should break, cleaning solutions and spillovers may penetrate the broken cooktop and create a risk of electric shock. Contact a qualified technician immediately.

16. Clean Cook-Top With Caution - If a wet sponge or cloth is used to wipe spills on a hot cooking area, be careful to avoid steam burn. Some cleaners can produce noxious fumes if applied to a hot surface.

CAUTION

Do not store items of interest to children in cabinets above or around the cooktop - children climbing on the cooktop to reach items, could be seriously injured.

Table of Contents

Before Installation	5
Installation	6
Other Installation Requirements	7
Electrical Connection	8
Safety Precautions	9
Principle of Induction	10
Glass Top, Coil Size and Controls	11
Controls and Operation	12
Heating Zones, Coil Sizes & Utensils	12
Power Sharing	12
Utensils for Your Induction Unit	13
Matching Pots & Pans with Coils etc.	13
To Do or Not to Do	14
Cleaning Recommendations	15
Troubleshooting	16

Your safety and ease of use are important to us.

In this manual we have provided a number of safety warnings and as well as numerous tips and hints for using the unit. Warnings and tips are marked with the following symbols:



Safety warning symbol



Tips and hints

Before Installation

If you are receiving the unit from a transportation company, it is customer's obligation to inspect the package and note any damage on the delivery receipt. After delivery, have your induction cooktop carefully unpacked, and again check for any visible damage. If you find any damage on the unit at this point, immediately inform your dealer or distributor. Although the responsibility for shipping lies with the carrier, your dealer/ distributor will assist you with your claim.

If the unit is not supposed to be installed for some time, you should keep it in its original packaging, stored in a dry and safe place. Read through the section of this manual which pertains to installation, and make sure that all of the requirements can be provided or are already provided. Ensure that your electric power supply is correct.

Before you install the unit, you should take a moment to write down the information from your nameplate and fill-out the table on page 19, for future after-sale servicing needs. This information will be required every time you call for any service on your unit.

1 / INSTALLATION

To install the cooktop, cut out a rectangular opening in the counter as shown on the drawing and table below. Also, ensure that you have a minimum of 10 mm (3/8") of space in the back of the unit, between the rim and backsplash on your counter (or wall if no backsplash) for ventilation.

A self-adhesive gasket is supplied with your unit. Before setting the cooktop in place install this gasket by sticking it underneath the rim.

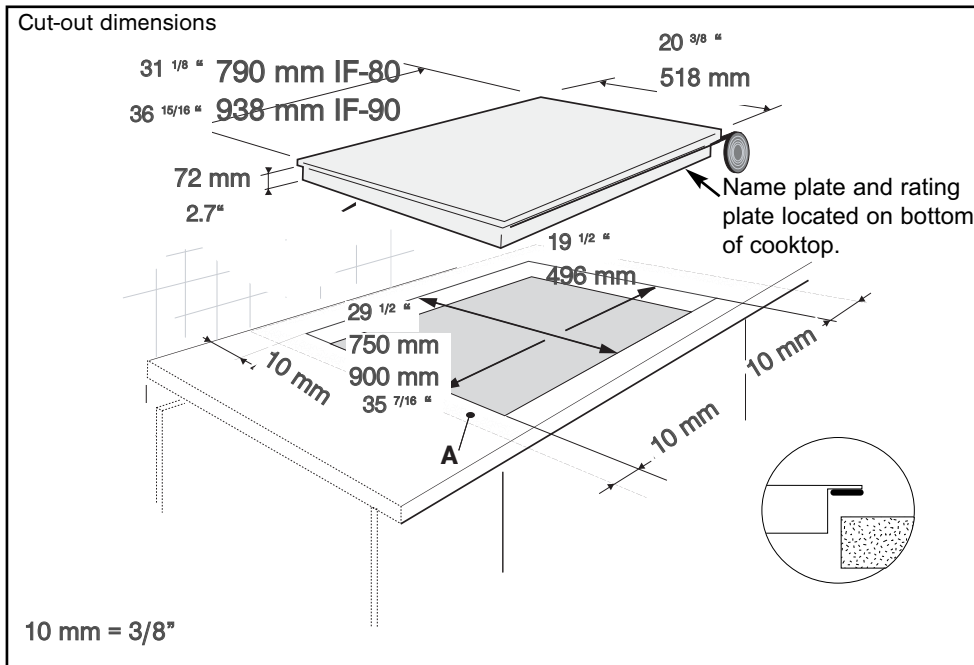
Apply the gasket only along the front rim and on both sides. This gasket will prevent most of the spills from entering the cabinet below and will keep the unit in place. Once the gasket is installed, place the cooktop in the opening, and lay it on the rim. Do this carefully - do not drop the unit into the cut-out. Make sure that the unit is sitting properly on its rim all around the perimeter.



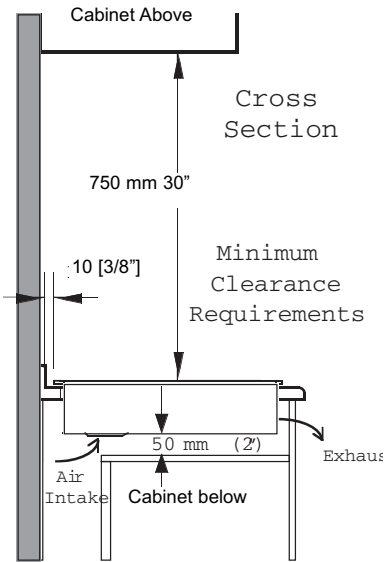
If your counter is produced from porous materials which tend to swell if in contact with humidity and water, to better protect the cut-out, use proper sealants on the edge which would prevent any penetration of humidity and water.

Chamfer all exposed edges of decorative laminates to prevent further chipping. Radius corners of the cut-out and file them to ensure smooth edges and prevent corner cracking.

Rough edges and inside corners which are not rounded as well as forced fits can contribute to cracking of counter top laminate.



Other Installation Requirements



During cooking, built-in fan inside the cooktop will operate constantly to keep the internal components cool. The air intake is on the bottom of the cooktop box, and the warm air exhaust is located on the front of the rim, as shown on the schematic. If the air intake or the exhaust is obstructed, the cooktop safeties will either diminish the power output or shut down the unit.

We suggest that you should periodically check that there are no objects (dust, paper,

etc.) which could obstruct the air inlet under your induction cooktop.

Although induction-cooktop heat rejection is minimal and the unit does not create any fumes in operation, such unit must be installed underneath a properly sized ventilation hood for exhausting any smell, vapor and smoke created by cooking itself.

Also, a proper downdraft system can be used for ventilation.

A minimum vertical clearance of 750 mm [30"] is required between the top of the cooking surface and the bottom of any unprotected combustible material, such as cabinets, wooden trim etc.

In the back, leave a minimum of 10 mm [3/8"] between the cooktop edge and adjacent vertical surfaces (backsplash, wall, high cabinets etc.). This space is needed for the unit to breath properly.

If a downdraft ventilation system is used, a minimum of 6 mm (1/4") of clearance is required between the rear edge of the cooktop and the downdraft snorkel.

Leave a minimum of 50 mm [2"] underneath the unit for the air intake.

Your cook-top must always breath adequately. Make sure that the air inlet and its exhaust are not obstructed.

The unit must not be installed above a washing machine, a refrigerator or a deep-freezer box

To eliminate the risk of burns or fire by reaching over heated surface units, cabinet storage space located above the surface units should be avoided.

The unit must be installed such that it can be pulled without difficulty out of the cut-out for servicing or cleaning.

Never glue, silicone or wedge the unit inside its cut-out.

cooktop electrical characteristics are:

- Operating voltage..... 240 V ~ 60 Hz
- Maximum power output 7200 W 30A
- Connect to 240 V, 60 Hz, 2 Pole+G, 40 A minimum supply,
(3 conductors #10 AWG)

Electrical wiring information

An adequate electrical supply must be provided for this unit. All wire connections and grounding must be done in accordance with local electrical codes, or if these codes are not established, then with the National Electrical Code, ANSI/NFPA No. 70 in the US , or with the Canadian Electrical Code, CAN/CSA C22.1, in Canada.

This unit comes equipped with three connection wires in a flexible conduit. The conduit must be routed and properly connected to an approved, owner-supplied, electrical, wall junction-box. An approved connector must be used for connecting the conduit to the junction box. A three wire, 2 poles, 240 V, 60 Hz service with minimum 40 A circuit protector must be provided. The red and the black wire from the unit are to be connected to the service ("hot") wires, and the green wire is to be connected to the ground conductor.

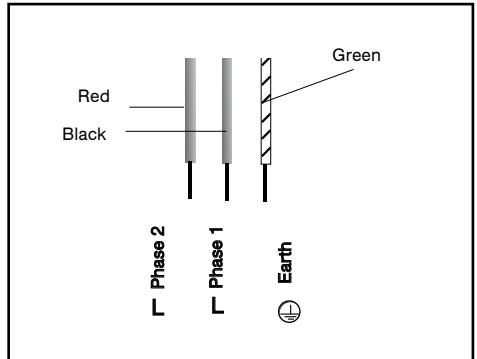
The circuit protector for the unit should be properly marked inside electric panel and anybody using the unit, or technician servicing the unit, should be advised of circuit protector's location, so that the power to the unit can be disconnected when necessary.

Once the unit is properly fitted and connected to the electrical power supply, turn the unit on to ensure that all elements and controls are operating well.

Note that your unit is designed for a stable and steady 240 V supply and the manufacturer, its distributors and dealers cannot be held

• 240 V

Connect the 3 wires as per the following colour code



responsible for any unit malfunction due to an inadequate electrical supply (inadequate cable size, low voltage, power surge etc). Furthermore, if your residence has only a 208 V supply system, and if the voltage frequently fluctuates, your cooktop may not function properly

It is recommended that the connection to electrical supply is done by a qualified electrician.

If there is any visible physical damage on the conduit and the wires, the unit must not be connected to the mains. A qualified electrician or approved service agent should be called in to replace the wires and the conduit.

Safety Precautions - Read before operating your cooktop

Your induction-cooking unit has been designed for residential use and food preparation, and all of the safety parameters have been rectified accordingly.

The unit incorporates numerous safety devices and controls, and a few devices will be mentioned here.

- A number of sensors monitor temperature of internal components. If any of these sensors senses that the component temperature is above the limit, the power output of the unit will automatically be reduced, allowing the component to cool down. Once this is achieved, the unit will continue to operate normally at the output level set initially by the operator.

- Each induction coil is equipped with a sensor which is continuously monitoring the temperature of the bottom of the pan to prevent the pan from overheating.

- Each induction coil is equipped with a pan sensing device. This device will not allow the heating element to turn on unless it senses a cooking utensil on the coil covering enough surface area. The indication that the coil is not running is the flashing of the digital display. Once the pan is put properly on the coil, the digital display will become steady. Note that a small object such as a fork, a spoon, a piece of jewelry, etc. will not be mistaken for a cooking utensil, and it will not trigger this sensor. Moreover, this device will distinguish between cooking utensils which are and are not suitable for induction cooking. If a cooking utensil which is not suitable for induction cooking is placed on a coil there will be no power output on the coil.

- If an operator leans on the keypad by chance for more than ten seconds, controls

will disable the heating section of the unit. This occurrence is called 'long press' and when it happens "-" signs will appear on power displays. The unit will act the same if there is an accumulation of some liquid on the keypad area, or if a damp cloth is left sitting on the keypad. The section will become operational again once the spill or the object/hand is removed, and the element turned back on.

In an effort of constantly improving our products, we reserve the right to make any changes to internal components, as well as, to make any (cosmetic) modifications on the outside frame.

This unit does not contain any asbestos or asbestos based components.

This unit has been tested and certified under FCC part 15 and CFR Title 47, Part 18, for electromagnetic interference.

The users with heart pacemakers must consult with the pacemaker manufacturer prior to using this cooktop which incorporates induction heating source.



If a crack appears in the glass surface, disconnect the unit immediately to avoid any risk of electric shock. If the unit is connected directly to supply inside a junction box, then disconnect its breaker, or remove fuses manually.

Do not re-use your cooktop until the glass top is changed.

When cooking never use aluminum foil and never place products wrapped in aluminum foil, nor products deep-frozen in aluminum packs on the hob. Aluminum foil could melt and damage vitroc ceramic glass surface beyond repair.

The principle of induction

When an induction element - also called: 'a heating zone', or simply: 'a coil' - is switched on, the appropriate utensil is used, and a desired level of heating power selected, the electronic circuit unit ('induction generator' or 'inverter') powers up the induction coil which creates a magnetic field. This magnetic field continuously changes in terms of frequency and intensity, and this creates induced currents in the bottom of the utensil and ultimately results in heat. The heat is transferred directly to the food being cooked.

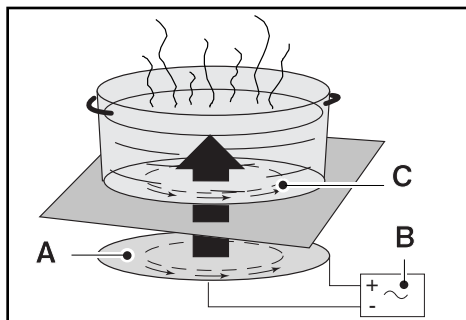
Thus, induction heat makes the utensil a direct source of heat, featuring high level of efficiency with extremely low energy loss and unparalleled heating level control.

With induction cooking there is very little 'heating inertia'. Induction cooking elements do not incorporate a heat generating element - unlike convectional electric rings, halogen or radiant elements etc. - therefore, heat levels can be changed very quickly.

Energy efficiency for induction is within range of 90-95%, compared with 55-65% for conventional and radiant element, or 45% - 55% for gas fueled burners. The energy efficiency contributes to substantial energy savings, both beneficial to the owner as well as the environment.

Induction cooking elements are sensitive to the utensil type being used :

- if there is no utensil placed on the coil, or if the utensil is not of induction grade, there will be no power emitted by the coil;
- if the utensil is placed partially on the coil, or if it is smaller than the coil, the internal sensors will reduce power to the coil; The Principle of Induction



- A** Induction coil
- B** Inverter
- C** Induced currents

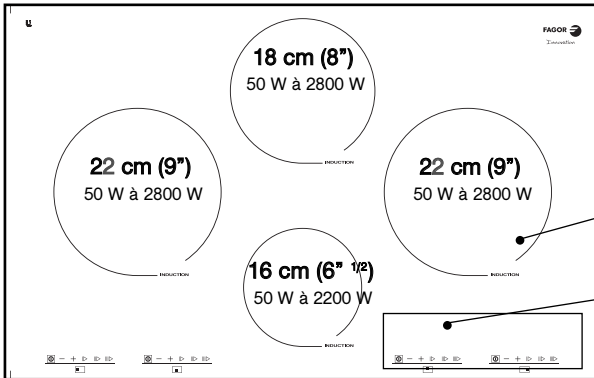
- if the utensil is fully removed from the coil, the power output will be instantaneously reduced to '0', and, eventually, the controls will turn the element off after a minute, unless the utensil is returned back onto the coil.

When compared to the other methods of cooking, induction cooking has a very low level of ambient heat, thus makes cooking more pleasurable, with a reduced need for ventilation.

Finally, the vitroceramic glass as a cooking surface barely becomes hot and this makes cleaning much easier.

For a proper choice of utensils, please refer to "Utensils for Your Induction"

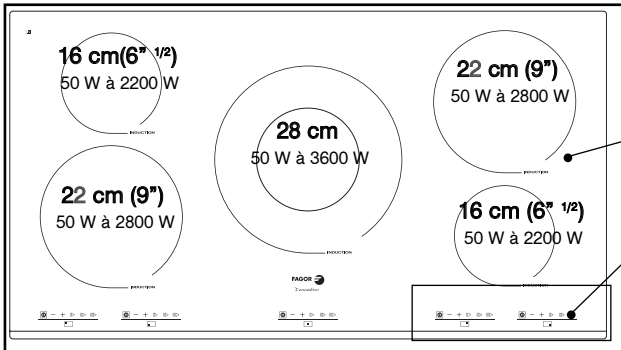
When using induction elements, some utensils may produce faint humming sound. This is a normal occurrence - the noise is a result of vibrations caused by induced currents.



IF-80

Cooking zone

Control zone

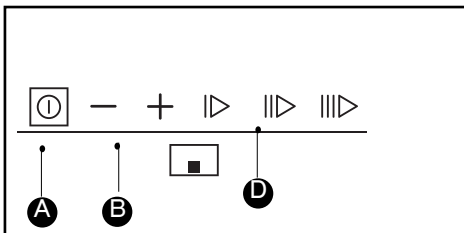


IF-90

Cooking zone

Control zone

DESCRIPTION OF THE CONTROL PANEL



- A** Start/stop touch control.
- B** Power - + touch controls.
- D** Power pre-select touch controls.

POWERING ON

Press the start/stop touch control for the zone you want to use. A flashing "0" indicates that the zone is on. You can then choose the desired power level.

If you do not select a power level, the cooking zone will automatically shut off.

ADJUSTING THE POWER

Press the + or - power touch controls, or on pre-select touch controls.

Touch	Display	Setting	Use
▶	6	medium	low heat
▶▶	10	high	moderate heat
▶▶▶	12	Maximum	maximum

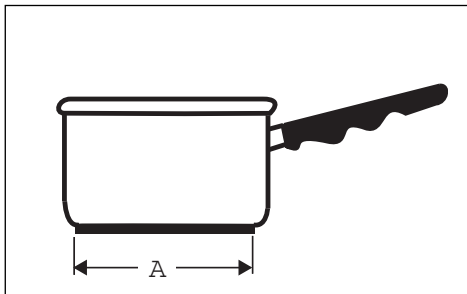


Tip

For simultaneous use, favour the use of cooking zones located on opposite sides of the hob.

On the same side, the use of a cooking zone at maximum power results in an automatic limitation of the other cooking zone on that side, which is indicated in the power level display.

• **WHICH COOKING ZONE SHOULD YOU USE BASED ON YOUR COOKWARE?**



Cooking zone	Diameter A
16 cm (6 1/2")	10 18 cm (4..7")
18 cm (7)	12 22 cm (4 3/4" ..8 1/2")
22 cm (9 ")	18 24 cm (7..9 1/2")



Tip

To check the suitability of your cookware:

Place the vessel on a cooking zone at power level 4.

If the display remains on, your cookware is compatible.

If the display flashes, your cookware cannot be used with induction cooking.

You can also use a magnet to test the cookware.

If a magnet "sticks" to the bottom of the cookware, it is compatible with induction.

• **POWER SHARING**

Under the pretense that only one zone is used with an adequate utensil covering the whole surface of the coil, and that power on the zone is adjusted to the maximum ("12"):

- the maximum power output of 22 cm (9") heating zone is 2.8 kW;
- the maximum power output of 16 cm (6 1/2") heating zone is 2.0 kW.

If only one coil is employed, it can be utilized at its maximum power, but as soon as the other coil is turned on, the controls adjust the power on both coils automatically for 'power sharing'. This power sharing is administered by unit's microprocessors, which will alternate power between the two elements. There are two factors affecting improved power sharing on your cooktops.

The first is the application of an improved technology for power sharing - not using common relays, but rather semiconductors which makes power sharing quicker, thus more efficient. The second factor is that, when in a power-sharing mode, two zones can share full, 3.6 kW, power output of the inverter.

Note that the controls will not allow both zones to operate at full power, and the power will be adjusted automatically - e.g. if the power on one zone is adjusted to a maximum, and the other zone is turned on and power level also adjusted to its maximum, the power level on the first zone will automatically become lower. This change will be visible on digital displays. The controls are set in such a manner that the last instruction (command) given to an element is always a priority.

Utensils for Your Induction

Induced current can be created only in materials which have magnetic properties. Thus, utensils for use with an induction unit must be made from a ferromagnetic material or have inserts with magnetic properties. Your household may already have cookware suitable for induction cooking, and you may test any utensil with an induction element. Incorporated controls are able to recognize a suitable utensil. To perform a utensil test:

- Turn an element on and adjust power to any level - you will notice that the digital power display is flashing.
- Place your utensil on the coil. If the piece being tested is suitable for induction cooking, the display will become steady. However, if it keeps flashing, the utensil cannot be used on your induction unit.
- If the utensil is empty, remove it from the coil immediately after you have done test and turn the element OFF.

Another simple test to determine if a piece of cookware can be used on an induction cooktop is the 'magnet test'. Use a magnet and place it on the utensil. If the magnet sticks to it, the piece will work with induction.

Utensils compatible with induction are:

- Cookware made of enamel coated steel with or without a non-stick coating.
- Cast iron cookware with or without enamel coated base.
- Stainless steel pots and pans designed for induction cookware.

Note:

Stainless steel used for utensils is non-magnetic, in most cases, and unsuitable for

induction cooking, but most manufacturers make such utensils in layers for better heat distribution, and a good number of such pots and pans can be used with induction. To make sure if a stainless steel utensil can be used perform the utensil test.

Use of utensils with enameled coated base will prevent the glass top of your unit from getting scratched.

Pots and pans which do not have a flat bottom still may be used, however they should not be overly deformed.

Cookware made from glass, ceramic, earthenware, aluminum and copper pots and pans and non-magnetic stainless steel cookware are not suitable for induction cooking.

Matching Pots & Pans with Coils, etc.

Small elements, 16 cm (6 1/2"), are best utilized:

- With small utensils - but normally not smaller than 10 cm (4");
 - For slow cooking and simmering (sauces, creams, etc.);
 - For cooking small quantities of food.
- Large elements, 22 cm (9"), are primarily designed for day-to-day cooking needs and most commonly used pans - 18 to 25 cm (7 to 9 1/2") in diameter.

When cooking large quantities of food, it is always better to use a large diameter pan and a larger coil, thus better and more efficient heat distribution will be achieved and food cooked evenly.

Utensils with thick flat bases should be chosen for the benefit of uniform heat distribution.

Never leave an empty piece of cookware on an induction heating element for more than a few seconds. If a utensil is left on an element at full power, temperature of the dish may increase rapidly, the safeties would not engage, and this may damage your utensil, the cooktop, and could result in an injury or a damage to your property.

To Do or Not To Do

You must:

- Always place your utensil such that its center is aligned with the centre of the coil.
- Avoid hitting the vitroceramic glass with utensils or any hard objects - the glass surface is highly resistant but not unbreakable.
- Pick-up your utensils when moving them around. Do not slide them and avoid excessive rubbing of the top, as this leaves scratches and erases the markings .
- Avoid using utensils with rough or deformed bottoms.
- Avoid leaving any metal cooking accessories, knives and forks, or metal objects on the hob. They may get hot if left close to any heating element in use.

- Avoid storing flammable products in the cabinets under your cooktop.
 - Never leave an empty utensil on an induction heating element, even when the element is turned OFF.
 - Only use maximum power for boiling and frying.
 - Never try heating up a closed can.
 - Avoid pre-heating your non-stick pans (e.g. with teflon coating) at maximum heat.
 - Avoid storing solid and heavy items in the cabinets above your cooktop. They may unintentionally drop and damage the glass.
- To Do or Not To Do

Do not connect any appliances to the plugs above or near to the induction cooktop; connection cable insulation can melt if in contact with heat, and this may result in an injury and a property damage.

Your cooktop must never be used as a storage space or surface for piling up of any material.

• MAINTAINING YOUR APPLIANCE

Cleaning of an induction cooktop is easy. Read and follow these recommendations:

TYPE OF STAINS/SPOTS	WHAT TO DO	ACCESSORIES or AGENTS EMPLOYED
Minor	Soak the area to be cleaned with soapy water, then wipe it.	Cleaning sponges & mild detergents
Accumulated burn-on stains.	Soak the area to be cleaned with warm soapy water. Use a special scraper for vitroceramic glass to remove grease and food particles. Finish off with a cleaning sponge, then wipe it clean.	Cleaning sponges, mild detergents and cleaning agents for vitroceramic glass
Rings and traces of lime scale.	Apply warm white vinegar on the stain. Leave to act then wipe off with a soft cloth. OR Use a commercial cleaner on affected area. Note that such cleaner may leave stains on stainless steel frame, thus protect exposed stainless steel.	Cleaning cloth, white vinegar, or diluted de-liming agent.
Burn-on stains following sugar spillage, melted aluminium or plastic.	Apply special vitroceramic glass cleaner on the surface, preferably one which contains silicone (protective action). Leave to act, then finish off with a cleaning sponge, then wipe it clean.	Vitroceramic cleaning agents and sponge.



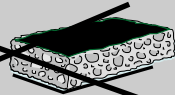
Non-abrasive Paste



Ordinary Sponge or Special Sponge for Delicate Items



~~Powder~~



~~Abrasive-backed sponge~~

4 / SPECIAL MESSAGES, DIFFICULTIES

You have doubts about whether your hob is working correctly. This does not necessarily mean that there is a breakdown. Nevertheless, check the following points.

PROBLEM	POSSIBLE CAUSES	WHAT SHOULD YOU DO?
<i>When you switch the unit on, the supply-line breaker trips off or the supply-line fuse burn.</i>	<i>Your unit may be connected incorrectly, or there is an internal problem.</i>	<i>Have the connection checked first. If the connection is OK, contact your service agent.</i>
<i>When you switch elements on, only one element works.</i>	<i>There is an internal problem with the unit.</i>	<i>Contact your service agent.</i>
<i>The fans keep running for a few minutes after the unit has been switched off.</i>	<i>The electronics are cooling down</i>	<i>This is a normal occurrence.</i>
<i>The top of the unit is always lukewarm (even when elements are not switched on).</i>	<i>The electronic components are under power and they create heat.</i>	<i>This is a normal occurrence.</i>
<i>Your hob makes faint clicking noise when in operation.</i>	<i>This noise occurs when the power is being shared between two induction coils.</i>	<i>This is a normal occurrence.</i>
<i>The unit doesn't work at all.</i>	<i>There may be a power supply or internal problem.</i>	<i>Check your breakers (fuses) and/or connection cable. If OK, contact your service agent.</i>
<i>After turning an element ON and having utensil placed on the coil, there is no heat and the digital indicator continues flashing.</i>	<i>The utensil you are trying to use is not compatible with induction cooking or its diameter is under 10 cm. (4").</i>	<i>Use another utensil suitable for induction cooking.</i>
<i>Utensil makes noise during cooking.</i>	<i>Your utensil creates noise from vibrations caused by induced current .</i>	<i>Under high power this phenomenon is normal with some types of pots and pans. There is no danger for the hob.</i>
<i>The hob gives off a smell when first used for cooking.</i>	<i>A new unit</i>	<i>Use each heating element for an hour with a pan filled with water.</i>



Servicing of an induction unit is to be done by an authorized service agent. Contact your dealer for service location closest to your residence. Never try servicing the unit yourself.



If any crack on the vitroceramic glass can be noticed, or the glass is broken DO NOT USE THE UNIT. Disconnect the electrical supply to the unit by tripping the breaker off (if the unit is hard-wired to the supply) or just unplug the unit (if there is a plug on the supply cable).



**FAGOR AMERICA, INC.
PO BOX 94
LYNDHURST, NJ 07071**

**Toll Free: 1.800.207.0806
Email: infoappliances@fagoramerica.com**

www.fagoramerica.com

The manufacturer reserves the right to modify the items described in this manual.
Le producteur se réserve le droit de modifier les articles décrits dans cette guide.
El fabricante se reserva el derecho de modificar los productos descritos en este manual.

FR GUIDE D'INSTALLATION ET D'UTILISATION

Table de cuisson

IMPORTANT : conservez ce manuel pour votre contrôleur électrique.

INSTALLER : remettez ce manuel à l'utilisateur avec l'appareil.

PROPRIÉTAIRE : conservez ce manuel pour vous y référer ultérieurement.

IMPORTANT : Les réglementations locales peuvent varier. L'installation, les branchements de câbles et la mise à la terre doivent être effectués conformément aux réglementations locales.

IFA-80AL / IFA-80BL
IFA-90AL / IFA-90BL



CONSIGNES DE SECURITE IMPORTANTES

- 1 - Installation correcte -** Assurez-vous que votre appareil est correctement relié à la terre et installé par un technicien qualifié.
- 2 -** N'utilisez jamais votre appareil pour réchauffer la pièce.
- 3 - Ne laissez pas les enfants sans surveillance -** Les enfants ne doivent pas être laissés seuls ou sans surveillance à l'endroit où est utilisé l'appareil. Ne les laissez jamais s'asseoir ou monter sur l'appareil
- 4 - Portez des vêtements adaptés -** Ne portez jamais de vêtements amples ou pendants lorsque vous utilisez l'appareil.
- 5 - Réparation par l'utilisateur -** Ne réparez ni remplacez aucune pièce de l'appareil sauf recommandation spécifique du manuel. Toutes les autres réparations doivent être effectuées par un technicien qualifié.
- 6 - Rangement dans ou sur l'appareil -** Ne rangez pas de matériel inflammable près de l'appareil.
- 7 - N'utilisez pas d'eau sur la graisse enflammée -** Éteignez le feu, utilisez un extincteur à poudre chimique ou à mousse.
- 8 - Utilisez uniquement des maniques sèches -** L'utilisation de maniques mouillées ou humides sur les surfaces chaudes peut provoquer des brûlures dues à la vapeur. Ne laissez pas les maniques en contact avec les éléments chauds. N'utilisez pas de torchon ou d'autre tissu encombrant.
- 9 - Utilisez des poêles de dimensions adaptées -** Cet appareil est équipé de plusieurs éléments de chauffage par induction, de différentes dimensions. Choisissez des récipients à fond plat, assez larges pour couvrir la surface de cuisson. L'utilisation de casseroles et de poêles de taille adaptée améliore également l'efficacité de l'appareil.
- 10 - NE TOUCHEZ PAS LES ÉLÉMENTS CHAUFFANTS NI LES ZONES PROCHEDES ÉLÉMENTS -** Les éléments chauffants peuvent être chauds même lorsqu'ils sont de couleur sombre. Les zones proches des éléments chauffants peuvent être assez chaudes pour provoquer des brûlures. Pendant et après utilisation, ne touchez pas et ne laissez pas de chiffon ou autre matériau inflammable en contact avec les éléments chauffants ou les zones proches, pendant une durée suffisamment importante pour qu'ils refroidissent.
- 11 - Ne chauffez pas de récipient non ouvert -** L'augmentation de la pression peut provoquer l'éclatement du récipient et entraîner des blessures.
- 12 - Ne laissez jamais les éléments chauffants sans surveillance lorsqu'ils sont à haute température -** La surchauffe provoque des fumées et des éclaboussures de graisse pouvant s'enflammer.

CONSIGNES DE SECURITE IMPORTANTES

13 - N'utilisez pas de papier aluminium, d'emballage d'aluminium ou de récipient en aluminium sur l'appareil.

14 - Tournez les poignées des récipients vers l'intérieur en évitant de les placer au-dessus des éléments chauffants adjacents - Pour réduire le risque de brûlure et de versement suite à un contact accidentel avec le récipient, positionnez sa poignée vers l'intérieur, en évitant que celle-ci ne se situe au-dessus des éléments chauffants adjacents.

15 - Ne cuisez pas d'aliment sur une table de cuisson cassée - Si la table de cuisson est brisée, les solutions de nettoyage et les débordements peuvent pénétrer dans la cassure et entraîner un risque de choc électrique.

Contactez immédiatement un technicien qualifié.

16 - Nettoyez la table de cuisson avec précaution - Si vous utilisez une éponge ou un chiffon mouillé pour essuyer les éclaboussures sur une surface chaude, prenez garde aux brûlures dues à la vapeur. Certains produits nettoyants peuvent produire des fumées nocives lorsqu'ils sont appliqués sur des surfaces chaudes.

ATTENTION

Ne rangez pas d'élément pouvant attirer les enfants dans des placards situés au-dessus ou à proximité de la table de cuisson. En montant sur la table de cuisson pour atteindre ces éléments, les enfants peuvent se blesser gravement.

Table des matières

Avant l'installation	5
Installation	6
Autres exigences d'installation	7
Branchement électrique	8
Précautions de sécurité	9
Le principe d'induction	10
Surface vitrée, taille des bobines et commandes	11
Récipients à utiliser avec votre appareil à induction	13
A faire et à ne pas faire	14
Entretien courant de votre appareil	15
Messages particuliers, incidents	16

**Nous accordons une grande importance à votre sécurité
et à la facilité d'utilisation de notre appareil.**

Ce manuel fournit plusieurs avertissements de sécurité et de nombreux conseils et astuces pour l'utilisation de l'appareil. Les avertissements et les conseils sont marqués du symbole suivant :



Symbole d'avertissement de sécurité



Conseils et astuces

Avant l'installation

Si l'appareil est livré par une société de transport, le client a pour obligation d'inspecter le colis et de noter tout défaut sur le bordereau de livraison. Après livraison, déballez avec soin la cuisinière à induction, puis vérifiez à nouveau la présence éventuelle de défaut visible. À ce moment, si vous découvrez un défaut sur l'appareil, informez-en immédiatement votre revendeur ou le distributeur. Bien que la responsabilité de l'expédition soit à la charge du transporteur, votre revendeur/distributeur vous aidera lors de votre réclamation.

Si l'appareil ne doit pas être installé tout de suite, conservez-le dans son emballage d'origine, dans un lieu sec et sûr.

Lisez la section de ce manuel relative à l'installation et assurez-vous que toutes les exigences peuvent être ou ont été respectées. Assurez-vous que votre alimentation électrique est adaptée.

Avant d'installer l'appareil, prenez le temps de noter les informations de la plaque d'identification et complétez le tableau page 19, destiné au service de réparation après-vente. Ces informations vous seront demandées chaque fois que vous contacterez un réparateur pour votre appareil.

1 / INSTALLATION

Pour installer la table de cuisson, découpez une ouverture rectangulaire dans le plan de travail, comme indiqué dans le schéma et le tableau ci-dessous. Veillez également à disposer d'un espace minimum de 10 mm destiné à la ventilation à l'arrière de l'appareil, entre le cadre et le dossier de votre plan de travail (ou le mur, si votre plan de travail ne possède pas de dossier).

Un joint auto-adhésif est fourni avec votre appareil. Avant de mettre en place la table de cuisson, installez ce joint en le collant sous le cadre.

Mettez le joint en place uniquement le long du cadre à l'avant et sur les côtés. Ce joint empêchera à la majeure partie des débordements de pénétrer dans le placard situé au-dessous, et maintiendra l'appareil en place. Une fois le joint installé, placez la table de cuisson dans l'ouverture, et posez-la sur le cadre. Effectuez cette opération avec précaution : ne lâchez pas l'appareil dans l'ouverture.

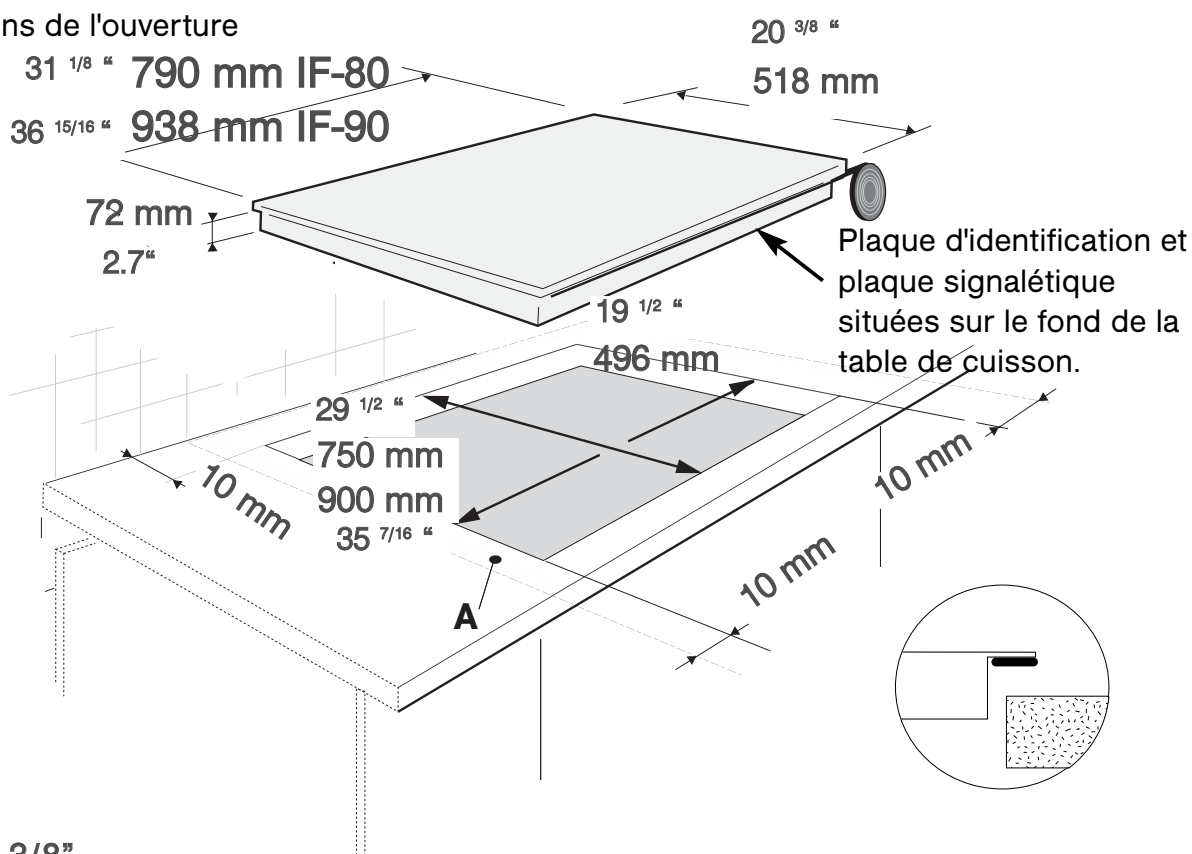


Si votre plan de travail se compose de matériaux poreux se dilatant au contact de l'humidité et de l'eau, pour protéger l'ouverture, appliquez sur les bords des joints d'étanchéité afin d'empêcher toute pénétration d'humidité ou d'eau.

Appliquez un stratifié décoratif sur tous les côtés exposés, afin d'éviter toute ébréchure. Arrondissez les angles de l'ouverture et limez-les pour obtenir des bords réguliers et éviter la fissuration des angles.

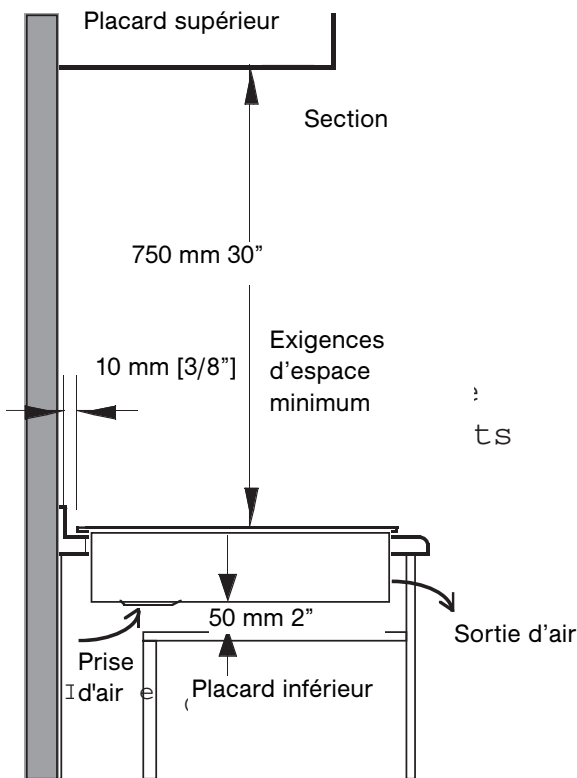
Des bords irréguliers et des angles intérieurs non arrondis, ainsi qu'une pose forcée de la table de cuisson, peuvent contribuer à la fissuration du revêtement du plan de travail.

Dimensions de l'ouverture



10 mm = 3/8"

Autres exigences d'installation



Pendant la cuisson, le ventilateur intégré situé à l'intérieur de la table de cuisson fonctionne en permanence pour refroidir les composants internes. La prise d'air se situe à l'arrière du coffre de la table de cuisson et la sortie d'air chaud se situe à l'arrière du cadre, comme l'indique le schéma. Si la prise d'air ou la sortie d'air sont obstruées, les dispositifs de sécurité de la table de cuisson diminueront la puissance d'alimentation ou désactiveront l'appareil.

Nous vous conseillons de vérifier

régulièrement l'absence d'objet (poussière, papier, etc.) pouvant obstruer l'entrée d'air située sous la table d'induction.

Bien que le rejet de chaleur de la table à induction soit minime et que l'appareil ne produise aucune fumée lorsqu'il fonctionne, il doit être installé sous une hotte de ventilation de dimensions adaptées pour l'évacuation des odeurs, de la vapeur et de la fumée créées par la cuisson en elle-même.

Vous pouvez également utiliser un système de ventilation à courant descendant adapté.

Un espace vertical minimum de 750 mm [30"] est nécessaire entre la surface de la table de cuisson et le fond de tout élément combustible non protégé, tel que placard, garniture en bois, etc.

À l'arrière, laissez un espace minimum de 10 mm [3/8"] entre le bord de la table de cuisson et les surfaces verticales adjacentes, (dosseret, mur, placards en hauteur, etc.). Cet espace est nécessaire pour une bonne ventilation de l'appareil.

Si vous utilisez un système de ventilation à courant descendant, laissez un espace minimum de 6 mm (1/4") entre le bord arrière de la table de cuisson et le tuyau de ventilation.

Laissez un espace minimum de 50 [2"] sous l'appareil, pour la prise d'air.

Votre table de cuisson doit toujours être correctement ventilée. Assurez-vous que la prise d'air et la sortie d'air ne sont pas obstruées.

N'installez pas l'appareil sur une machine à laver, un réfrigérateur ou un congélateur.

Pour éliminer tout risque de brûlure ou d'incendie provoqué par le contact avec les éléments chauffants, évitez de poser des placards au-dessus des éléments chauffants.

L'appareil doit être installé afin de pouvoir être retiré facilement de son ouverture, en cas de réparation ou de nettoyage.

N'appliquez jamais de colle, de silicone ou de cale dans l'ouverture de l'unité.

caractéristiques électriques de la table de cuisson :

Tension de fonctionnement240 V~ 60 Hz

Tension de sortie maximum.....7 200 W, 30 A

Branchement àalimentation minimum 240 V, 60 Hz,
2 Pole+G, 40 A (3 conducteurs 10 AWG)

Information relative au branchement électrique

Cet appareil doit être correctement alimenté en électricité. Tous les branchements de câbles et la mise à la terre doivent être effectués conformément aux réglementations locales sur l'électricité ou, si aucune réglementation n'est établie, conformément au Code national d'électricité, ANSI/NFPA N°70 aux États-Unis ou au Code électrique canadien, CAN/CSA C22.1, au Canada.

Cet appareil est équipé de trois câbles de branchement situés dans un conduit flexible. Ce conduit doit être acheminé et correctement relié à un boîtier de raccordement électrique mural approuvé et fourni par le propriétaire. Pour le raccordement du conduit au boîtier, utilisez un connecteur approuvé. Utilisez un branchement trifilaire à 2 pôles, 240V, 60Hz avec un protecteur de circuit d'un minimum de 40 A. Reliez les fils rouge et noir de l'appareil aux fils de contact d'alimentation, et le fil vert au conducteur de terre.

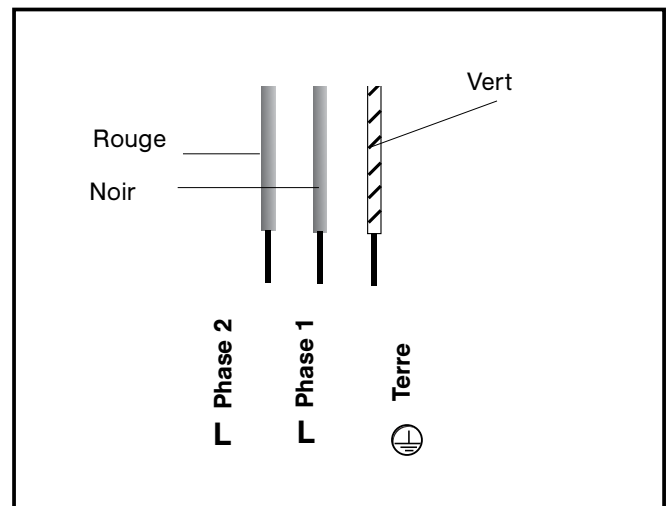
Le protecteur de circuit de l'appareil doit être marqué de façon appropriée sur le panneau électrique et toute personne utilisant l'appareil ou technicien effectuant des réparations doit être informé de l'emplacement du protecteur de circuit, afin que l'alimentation de l'appareil puisse être désactivée si nécessaire.

Une fois l'appareil installé et branché à l'alimentation de façon appropriée, mettez-le sous tension afin de vérifier que tous les éléments et les commandes fonctionnent correctement.

Remarque : votre appareil est conçu pour fonctionner avec une alimentation 240V stable et le fabricant, ses distributeurs et ses reven-

• 240 V

Branchez les 3 câbles selon le code de couleur suivant.



deurs ne peuvent être tenus pour responsables des dysfonctionnements résultants d'une alimentation électrique inadaptée (taille de câble inadaptée, faible puissance, saute de puissance etc.) En outre, si votre lieu d'habitation n'est équipé que d'un système d'alimentation à 208 V et si la puissance fluctue fréquemment, votre table de cuisson peut ne pas fonctionner correctement.

Nous recommandons que le raccordement à l'alimentation électrique soit effectué par un technicien qualifié.

En cas de défaut physique visible sur le conduit ou les câbles, ne reliez pas l'appareil à la terre. Contactez un électricien qualifié ou un agent de service certifié afin qu'il remplace les câbles et le conduit.

Précautions de sécurité - À lire avant d'utiliser votre table de cuisson

Votre table de cuisson à induction a été conçue pour une utilisation en habitation et pour la préparation d'aliments. Tous ses paramètres de sécurité ont été réglés en tenant compte de cet usage.

Cet appareil est équipé de nombreux dispositifs et commandes de sécurité, dont certains sont présentés dans ce manuel.

- Plusieurs capteurs contrôlent la température des composants internes. Si l'un de ces capteurs détecte un composant dont la température se situe au-delà de la limite autorisée, la puissance de sortie de l'appareil est automatiquement réduite, permettant ainsi le refroidissement du composant. Une fois le refroidissement terminé, l'appareil continue de fonctionner normalement au niveau de puissance de sortie réglé initialement par l'utilisateur.

- Chaque bobine d'induction est dotée d'un capteur contrôlant en permanence la température du fond de la poêle afin d'éviter sa surchauffe.

- Chaque bobine d'induction est équipée d'un dispositif de capteur pour poêle. Ce dispositif empêche l'allumage de l'élément chauffant lorsqu'il ne capte pas de récipient couvrant une surface suffisante de la bobine. L'affichage numérique clignote pour indiquer que la bobine ne fonctionne pas. Une fois la poêle correctement posée sur la bobine, l'affichage numérique cesse de clignoter. Remarque : un petit objet tel qu'une fourchette, une cuiller ou un bijou, par exemple, ne sera pas confondu avec un récipient et ne déclenchera pas le capteur. En outre, ce dispositif est capable de distinguer les récipients adaptés ou non à la cuisson par induction. Si un récipient non adapté à la cuisson par induction est placé sur une bobine, celle-ci reste hors tension.

- Si l'utilisateur appuie par mégarde sur le clavier pendant plus de dix secondes, les commandes désactivent la section chauffante de l'appareil.

Cet événement est appelé « appui prolongé ». Lorsqu'il survient, les signes “-” s'affichent sur l'écran de mise sous tension. L'appareil agit de même si du liquide s'accumule sur le clavier ou si un tissu humide est posé dessus. La section fonctionne à nouveau une fois le liquide, l'objet ou la main retirés, et l'élément remis sous tension.

Dans notre effort permanent d'amélioration de nos produits, nous nous réservons le droit de modifier les composants internes ou d'apporter toute modification (esthétique) à la partie externe de l'appareil.

L'appareil ne contient pas d'amiante ni de composant à base d'amiante.

Cet appareil a été testé et certifié conforme au FCC partie 15 et au CFR titre 47, partie 18, concernant les interférences électromagnétiques.

Les utilisateurs portant un stimulateur cardiaque doivent consulter son fabricant avant d'utiliser cette table de cuisson, qui contient des sources de chauffage par induction.



En cas d'apparition d'une fissure sur la surface vitrée, débranchez l'appareil immédiatement pour éviter tout risque de choc électrique. Si l'appareil est directement relié à l'alimentation par le biais d'un boîtier de raccordement, désactivez le disjoncteur ou retirez manuellement les fusibles.

Ne réutilisez pas votre table de cuisson tant que la surface vitrée n'a pas été remplacée.

Lors de la cuisson, n'utilisez jamais de papier aluminium et ne posez jamais sur la cuisinière de produit emballé dans du papier aluminium ou de produit surgelé dans un emballage d'aluminium. Le papier aluminium pourrait fondre et endommager la plaque vitrocéramique sans que celle-ci puisse être réparée.

Le principe d'induction

Lorsqu'un élément d'induction (également appelé « zone de chauffe » ou simplement « bobine ») est mis sous tension, que le récipient utilisé est approprié et que le niveau de puissance de chauffe souhaité est sélectionné, l'unité de circuit électronique (« générateur d'induction » ou « onduleur ») active la bobine d'induction qui crée un champ magnétique. Ce champ magnétique change constamment de fréquence et d'intensité, ce qui crée des courants induits sur le fond du récipient et provoque enfin de la chaleur. Cette chaleur est transférée directement aux aliments cuisinés.

Ainsi, la chaleur provoquée par l'induction transforme le récipient en source directe de chaleur, atteignant ainsi de hauts niveaux d'efficacité avec une très faible perte d'énergie et un contrôle incomparable du niveau de chauffe.

La cuisson à induction produit très peu d'« inertie de chauffe ». Les éléments de cuisson à induction ne contiennent pas d'élément générant de la chaleur, tels que des plaques électriques à convection, des éléments halogènes ou radiants, etc. Ainsi les niveaux de chaleur peuvent être modifiés très rapidement.

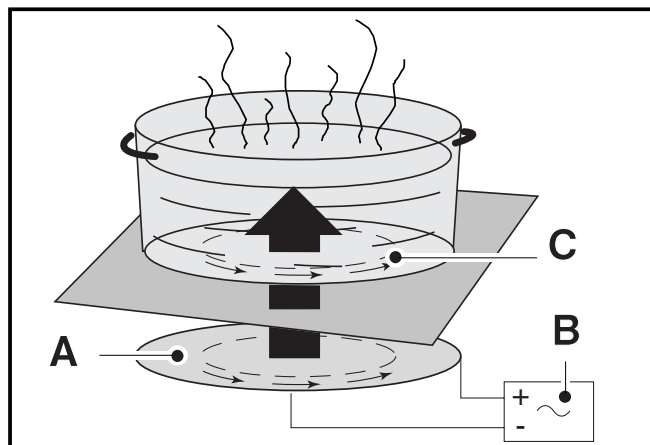
L'efficacité énergétique de l'induction est comprise entre 90 et 95%, en comparaison avec les éléments conventionnels et radiants, à 55-65%, et les brûleurs à gaz, à 45-55%. L'efficacité énergétique contribue à la génération d'importantes économies d'énergie, profitables à la fois au propriétaire et à l'environnement.

Les éléments de cuisson à induction réagissent différemment selon le type de récipient utilisé :

- si aucun récipient n'est posé sur la bobine ou si le récipient n'est pas adapté à l'induction, la bobine n'émet aucune puissance ;

Pour un choix de récipients adaptés, veuillez vous reporter à la section « Récipients pour la cuisson à induction ».

Lorsque vous utilisez les éléments à induction, certains récipients peuvent produire un faible bourdonnement. Ce son est normal. Il résulte des vibrations provoquées par les courants induits.



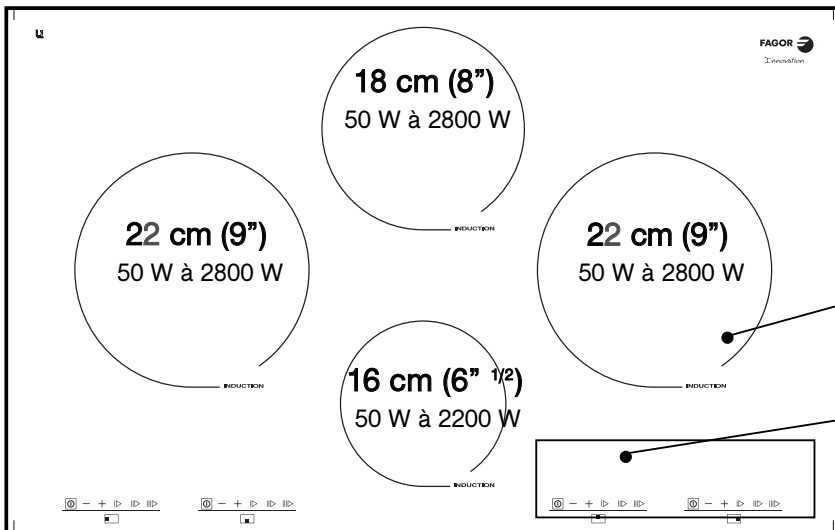
- A** Bobine à induction
- B** Onduleur
- C** Courants induits

- si le récipient est posé en partie sur la bobine ou s'il est plus petit que celle-ci, les capteurs internes diminuent la puissance de la bobine : c'est le principe de l'induction ;
- si le récipient est complètement retiré de la bobine, l'alimentation est immédiatement réduite à « 0 » et, après une minute, l'élément est désactivé par les commandes si le récipient n'est pas reposé sur la bobine.

En comparaison avec les autres méthodes de cuisson, la cuisson à induction possède un très faible niveau de chaleur ambiante, ce qui rend la cuisson plus agréable, sans nécessiter une ventilation importante.

Enfin, la plaque vitrocéramique en tant que surface de cuisson ne chauffe pratiquement pas, ce qui rend le nettoyage beaucoup plus facile.

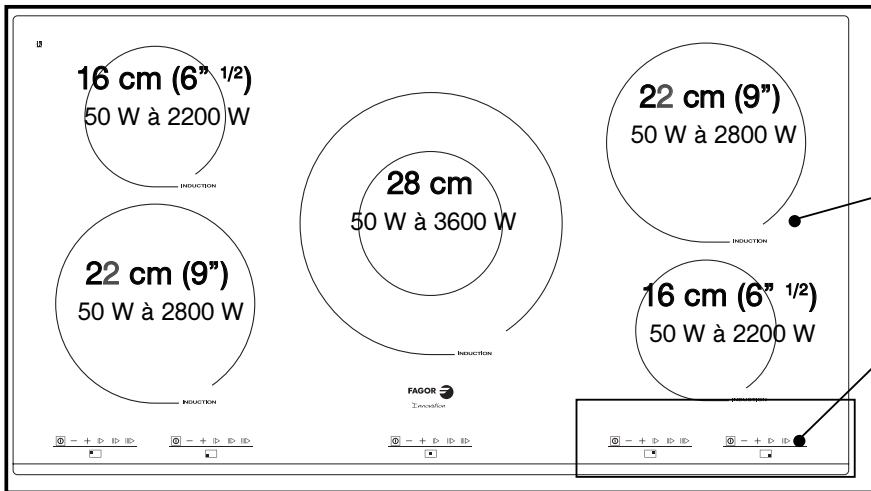
Surface vitrée, taille des bobines et commandes



IF-80

Zone de cuisson

Zone de commande

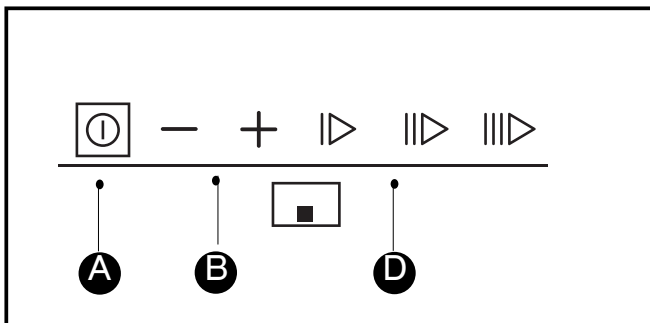


IF-90

Zone de cuisson

Zone de commande

• DESCRIPTION DU PANNEAU DE COMMANDE



- A** Touche de marche/arrêt.
- B** Touches de puissance - +.
- D** Touches de pré-sélection.

• RÉGLAGE DE LA PUISSANCE

Appuyez sur les touches de commande de puissance + ou - ou sur les touches de pré-sélection.

Touche	Affichage	Réglage	Utilisation
	6	Moyen	Chaleur basse
	10	Elevée	Chaleur modérée
	12	Maximum	maximum

• MISE SOUS TENSION

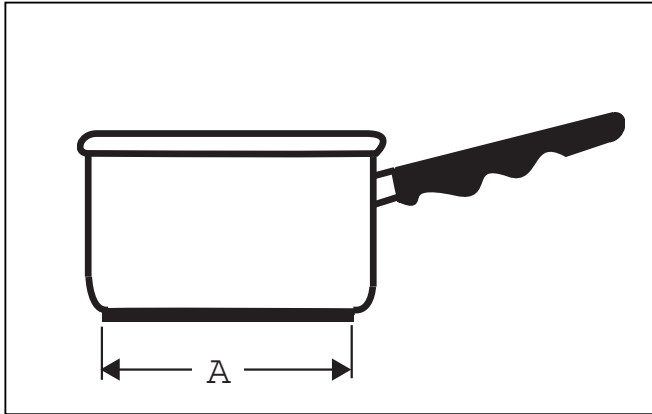
Appuyez sur la touche marche/arrêt de la zone à utiliser. Un 0 clignotant signale que la zone est allumée. Vous pouvez ensuite sélectionner le niveau de puissance souhaité. Si vous ne sélectionnez pas de niveau de puissance, la zone de cuisson se met automatiquement hors tension.



Conseil

Privilégiez l'utilisation de zones de cuisson situées sur des côtés différents. L'utilisation d'une zone de cuisson à la puissance maximale entraîne une limitation automatique de l'autre zone de cuisson située du même côté, indiquée sur l'affichage du niveau de puissance.

• **QUELLE ZONE DE CUISSON UTILISER EN FONCTION DE VOTRE RECIPIENT ?**



Zone de cuisson	Diamètre A
16 cm (6 1/2")	10 18 cm (4..7")
18 cm (7)	12 22 cm (4 3/4" ..8 1/2")
22 cm (9 ")	18 24 cm (7..9 1/2")



Conseil

Pour vérifier si votre récipient convient :

Placez le récipient sur une zone de cuisson à une puissance de niveau 4.

Si l'affichage reste allumé, votre récipient est compatible.

Si l'affichage clignote, votre récipient ne peut pas être utilisé avec la cuisson à induction.

Vous pouvez également utiliser un aimant pour tester votre matériel.

Si l'aimant « adhère » au fond de votre récipient, celui-ci est compatible avec l'induction.

• **RÉPARTITION DE LA PUISSANCE**

Lorsqu'une seule zone est utilisée, qu'un récipient adapté couvre toute la surface de la bobine et que la puissance de cette zone est réglée au maximum (12) :

- la puissance de sortie maximale de la zone de chauffe de 22 cm (9") est de 2,8 kW.

- la puissance de sortie maximale de la zone de chauffe de 16 cm (6 1/2") est de 2,0 kW.

Si une seule bobine est utilisée, elle peut l'être à sa puissance maximale mais dès qu'une autre bobine est mise sous tension, les commandes ajustent automatiquement la puissance des deux bobines pour la « répartir ». Cette répartition de la puissance est effectuée par les microprocesseurs de l'appareil, qui alternent l'alimentation des deux éléments. Deux facteurs influencent la répartition améliorée de la puissance des tables de cuisson.

Le premier est l'application d'une technologie améliorée de répartition de la puissance, qui n'utilise pas les relais habituels mais plutôt des semi-conducteurs qui accélèrent la répartition, améliorant ainsi son efficacité. Le second facteur est la possibilité pour deux zones, en mode de répartition de la puissance, de partager la puissance de sortie totale de 3,6 kW de l'ondulateur.

Remarque : les commandes ne permettent pas le fonctionnement à pleine puissance des deux zones, et la puissance est automatiquement ajustée. Par exemple, lorsque la puissance d'une zone est réglée au maximum, si l'autre zone est mise sous tension et réglée à son maximum, le niveau de puissance de la première zone diminue automatiquement. Ce changement est visible sur les écrans à affichage numérique. Les commandes sont réglées de façon à tenir compte en priorité de la dernière instruction (commande) donnée à un élément.

Récipients à utiliser avec votre appareil à induction

Le courant induit peut être créé uniquement dans les matériaux ayant des propriétés magnétiques. Ainsi, les récipients à utiliser avec un appareil à induction doivent être composés de matériau ferromagnétique ou posséder des éléments ayant des propriétés magnétiques. Votre foyer est peut-être déjà équipé de matériel de cuisine compatible avec la cuisson à induction et vous pouvez tester n'importe quel récipient avec un élément à induction. Des commandes intégrées permettent de reconnaître un récipient adapté. Pour tester un récipient :

- Mettez un élément sous tension et réglez la puissance à n'importe quel niveau - vous remarquerez que l'affichage numérique clignote.
- Placez votre récipient sur la bobine. Si l'élément testé est compatible avec la cuisson à induction, l'affichage cesse de clignoter. Cependant, si l'affichage continue de clignoter, le récipient ne peut pas être utilisé avec votre appareil à induction.
- Si le récipient est vide, retirez-le immédiatement de la bobine après le test et mettez l'élément hors tension.

Le « test de l'aimant » est un autre test simple qui vous permet de déterminer si un récipient peut être utilisé avec une table de cuisson à induction. Placez un aimant sur le récipient. Si l'aimant adhère au récipient, ce dernier est compatible avec l'induction.

Récipients compatibles avec l'induction :

- Récipients en acier émaillé avec ou sans revêtement anti-adhésif.
- Récipients en fonte, émaillés ou non.
- Casseroles et poêles en inox conçues pour la cuisson à induction.

Remarque :

L'acier inoxydable utilisé pour les récipients n'est en général pas magnétique et non

adapté à la cuisson par induction, mais la plupart des fabricants produisent ces récipients en couches pour une meilleure répartition de la chaleur et un grand nombre de ces casseroles et de ces poêles peuvent être utilisées pour la cuisson à induction. Pour vous assurer qu'un récipient d'acier inoxydable puisse être utilisé, effectuez le test pour ustensile.

L'utilisation de récipients à base émaillée évite de rayer la surface vitrée de votre appareil.

Il est possible d'utiliser des casseroles et des poêles n'ayant pas un fond plat. Cependant, celles-ci ne doivent pas être excessivement déformées.

Les récipients en verre, céramique, terre cuite, aluminium et cuivre ainsi que les récipients en acier inoxydable non magnétique ne sont pas compatibles avec la cuisson à induction.

Associer les casseroles et les poêles avec les bobines, etc.

Les petits éléments, 16 cm (6 1/2") sont les mieux compatibles :

- avec de petits récipients (mais généralement d'un diamètre supérieur à 10 cm (4") ;
 - pour la cuisson lente et pour les plats mijotés (sauces, crèmes, etc.) ;
 - pour la cuisson de petites quantités d'aliments.
- Les grands éléments, de 22 cm (9"), sont généralement utilisés pour la cuisine quotidienne et les poêles les plus utilisées : 18 à 25 cm (7 à 9 1/2") de diamètre.

Lors de la cuisson de grandes quantités d'aliments, il est toujours recommandé d'utiliser une poêle de diamètre important et une grande bobine, pour une meilleure répartition de la chaleur, plus efficace, et une cuisson homogène des aliments.

Pour bénéficier d'une répartition uniforme de la chaleur, choisissez des récipients à fond épais et plat.

Ne laissez jamais un récipient vide sur un élément à induction pendant plus de quelques secondes. Lorsqu'un récipient est laissé sur un élément à pleine puissance, sa température peut augmenter rapidement, les dispositifs de sécurité ne se déclenchent pas et la chaleur peut endommager votre récipient, la table de cuisson, et peut provoquer des blessures ou des dommages.

A faire et à ne pas faire

Vous devez :

- Toujours placer votre récipient afin que son centre soit aligné avec le centre de la bobine.
- Éviter de heurter la plaque de vitrocéramique avec des récipients ou tout objet dur : la surface de verre est très résistante mais pas incassable.
- Soulever vos récipients lorsque vous les déplacez. Ne les faites pas glisser afin d'éviter un frottement excessif de la surface, qui provoquerait des rayures et effacerait les marquages.
- Éviter d'utiliser des récipients dont le fond est rugueux ou déformé.
- Éviter de laisser des accessoires de métal, des couteaux, des fourchettes ou des objets métalliques sur la cuisinière. Ils peuvent chauffer s'ils sont à proximité d'un élément chauffant en cours d'utilisation.

- Évitez de ranger des produits inflammables dans les placards situés sous votre table de cuisson.
- Ne laissez jamais un récipient vide sur un élément à induction, même lorsque celui-ci est hors tension.
- N'utilisez la puissance maximale que pour faire bouillir ou pour frire.
- Ne tentez jamais de réchauffer une boîte de conserve fermée.
- Évitez de préchauffer des poêles anti-adhésives (par exemple, avec un revêtement en téflon) à puissance maximale.
- Évitez de ranger des éléments solides et lourds dans les placards situés au-dessus de votre table de cuisson. Ils peuvent tomber accidentellement et endommager le verre.

Ne branchez aucun appareil aux prises situées au-dessus ou près de la table de cuisson à induction ; la gaine du câble peut fondre si celui-ci entre en contact avec la chaleur, et peut provoquer des blessures ou des dommages matériels.

N'utilisez jamais votre table de cuisson comme espace de rangement ou pour rassembler du matériel.

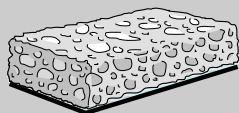
• **ENTREtenir VOTRE APPAREIL**

Le nettoyage d'une table de cuisson à induction est simple. Lisez et suivez ces recommandations :

TYPES DE SALISSURES	COMMENT PROCEDER ?	ACCESSOIRES ou PRODUITS UTILISÉS
Peu de taches	Mouillez la zone à nettoyer avec de l'eau savonneuse, puis essuyez.	Éponges de nettoyage et détergents
Accumulation de taches brûlées.	Mouillez la zone à nettoyer avec de l'eau savonneuse tiède. Utilisez une raclette spéciale pour vitrocéramique afin de retirer la graisse et les particules d'aliments. Terminez avec une éponge, puis essuyez.	Éponges de nettoyage, détergents doux et produits de nettoyage pour vitrocéramique
Auréoles et traces de calcaire.	Appliquez du vinaigre blanc sur la tache. Laissez agir puis essuyez avec un chiffon doux. OU Utilisez un nettoyant vendu dans le commerce sur la zone à nettoyer. Remarque : ce produit nettoyant peut laisser des taches sur le cadre d'acier inoxydable. Protégez les parties d'acier inoxydable exposées.	Chiffon de nettoyage, vinaigre d'alcool blanc, ou produit de détartrage dilué.
Taches brûlées suite à un renversement de sucre, d'aluminium fondu ou de plastique.	Appliquez un produit nettoyant spécial vitrocéramique sur la surface, de préférence contenant de la silicone (action protectrice). Laissez agir, terminez avec une éponge, puis essuyez.	Produits de nettoyage pour vitrocéramique et éponge.



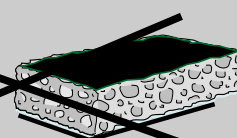
Pâte non abrasive



Éponge ordinaire ou éponge spéciale pour surfaces délicates



Poudre



Éponge grattante

4 / MESSAGES PARTICULIERS, INCIDENTS

Si vous avez un doute sur le bon fonctionnement de votre table de cuisson, cela ne signifie pas nécessairement qu'il y a une panne. Néanmoins, vérifiez les points suivants :

PROBLÈME	CAUSES POSSIBLES	QUE FAUT-IL FAIRE ?
Lorsque vous allumez l'unité, le disjoncteur ou un fusible saute.	Votre unité est peut être mal raccordée, ou bien présente un problème interne.	Faites d'abord vérifier le raccordement. Si tout est normal, contactez votre revendeur.
A la mise en service, seul un côté de la table fonctionne	Il y a un problème interne avec l'unité.	Contactez votre réparateur.
La ventilation continue de fonctionner pendant quelques minutes après que l'unité a été éteinte	L'électronique se refroidit.	C'est un phénomène normal.
Le dessus de l'utilité est encore chaud (même après l'avoir éteint).	Les composants électroniques sont sous alimentation et génèrent de la chaleur.	C'est un phénomène normal.
Votre table émet un léger bruit de cliquetis lorsqu'elle fonctionne.	Ce bruit se produit lorsque l'alimentation est divisée entre deux bobines d'induction.	C'est un phénomène normal.
L'unité ne fonctionne pas du tout.	Il peut y avoir un problème d'alimentation ou un problème en interne.	Vérifiez vos disjoncteurs/fusibles/câble de raccordement. Si tout est normal, contactez votre revendeur.
Après avoir mis un élément sous tension et avoir placé le récipient sur la bobine, il n'y a pas de dégagement de chaleur et l'affichage digital continue de clignoter.	Le récipient que vous essayez d'utiliser n'est pas compatible avec la cuisson à induction ou son diamètre est inférieur à 10 cm (4").	Utilisez un autre récipient adapté à la cuisson par induction.
Le récipient fait du bruit pendant la cuisson.	Le bruit que génère votre récipient est causé par les vibrations du courant induit.	A forte puissance, ce phénomène est normal avec certains types de casseroles et de poêles. Cela ne représente aucun danger pour la table de cuisson.
La table de cuisson dégage une odeur lors de sa première utilisation.	Une nouvelle unité	Utilisez chaque élément chauffant pendant une heure avec une casserole remplie d'eau.



La réparation d'une unité d'induction doit être effectuée par un réparateur agréé. Contactez votre revendeur afin de connaître les centres de réparation les plus proches de chez vous. Ne tentez jamais de réparer l'unité vous-même.



Si vous constatez la moindre fêlure sur la plaque vitrocéramique ou que le verre est cassé, N'UTILISEZ PAS L'APPAREIL. Déconnectez le raccordement électrique de l'unité en éteignant le disjoncteur (si l'unité dispose d'un raccordement fixe à l'alimentation) ou débranchez simplement la prise de l'unité (s'il existe une prise sur le câble d'alimentation).