

COOKING DESIGN CENTER

by **FAGOR** 

2 Piece package

The Stainless Steel Cooking Center CX-5 has a large capacity, with two level side drawers and a big central module for large items, such as pots and pans.

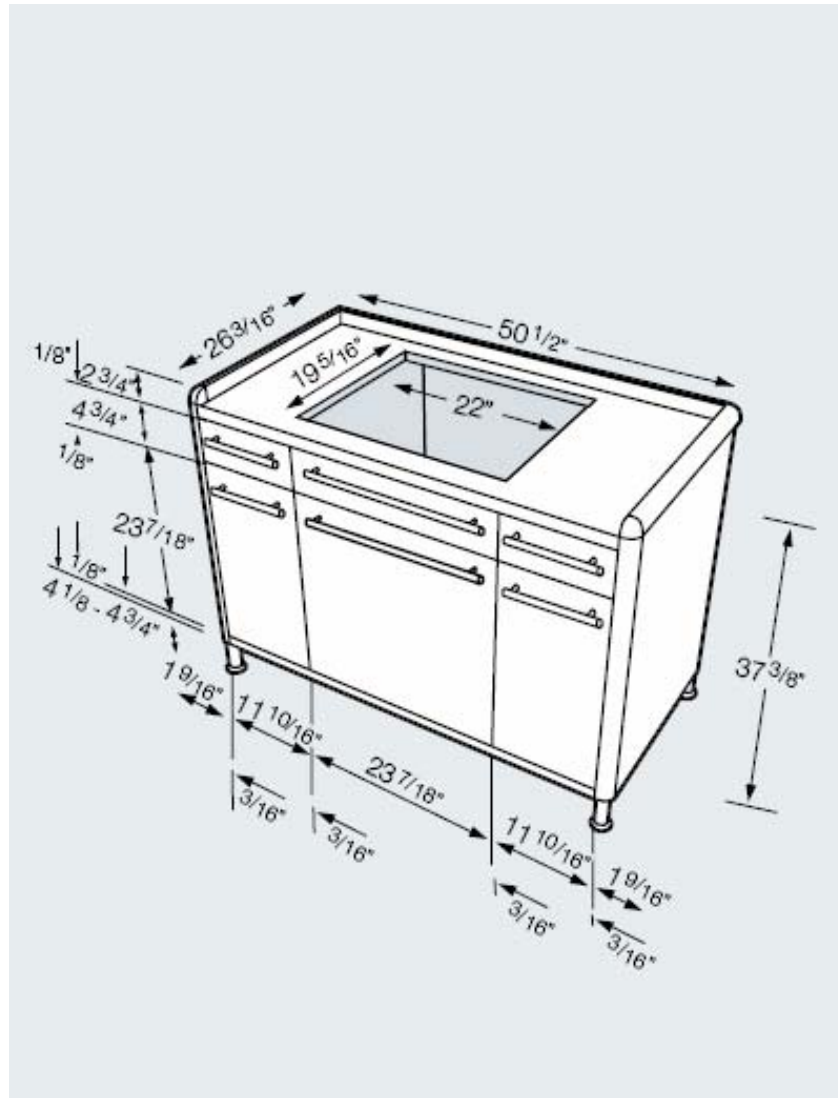
The 2 piece package includes: - FAGOR Cooking STORAGE plus a 27" Radiant cooktop VFA-70S or a 28" gas cooktop 3FIA-5GLST X.



No Substitutions or Exceptions – program must be administrated as layed out above to qualify.

FAGOR AMERICA Inc. | | p. 201 804 3900 | | f. 201 804 9898 | | www.fagoramerica.com | | infoappliances@fagoramerica.com

COOKING CENTER DIMENSIONS



No Substitutions or Exceptions – program must be administrated as layed out above to qualify.

FAGOR AMERICA Inc. | | p. 201 804 3900 | | f. 201 804 9898 | | www.fagoramerica.com | | infoappliances@fagoramerica.com